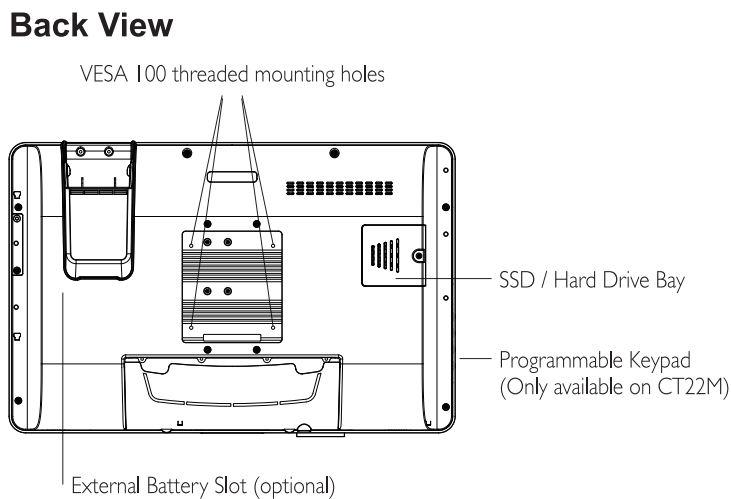
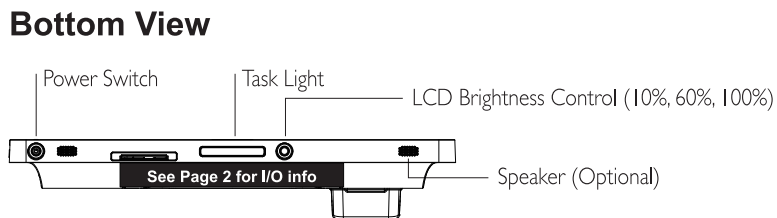
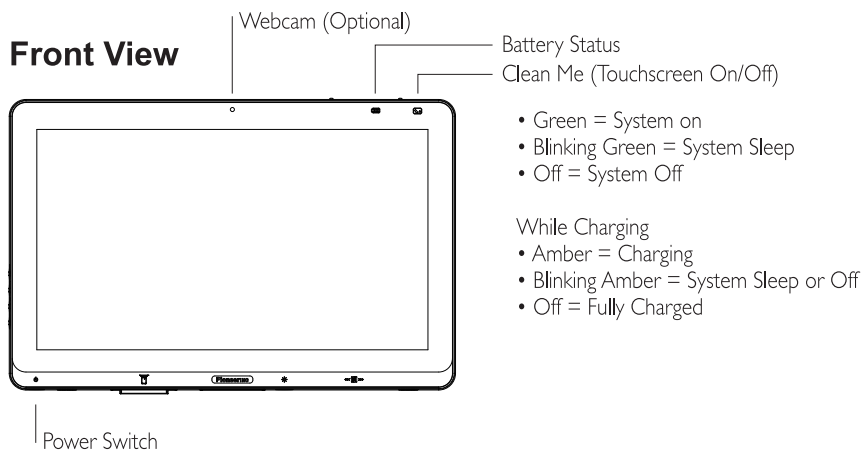
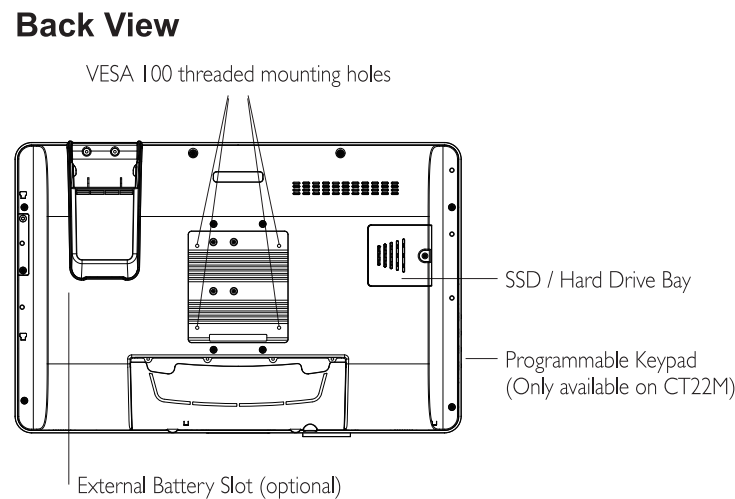
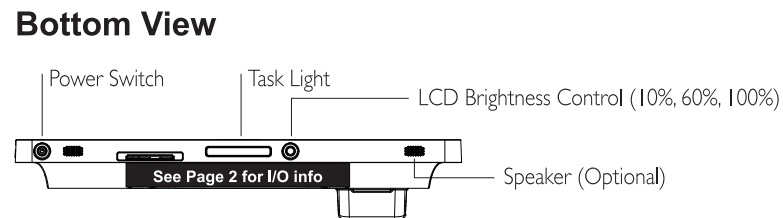
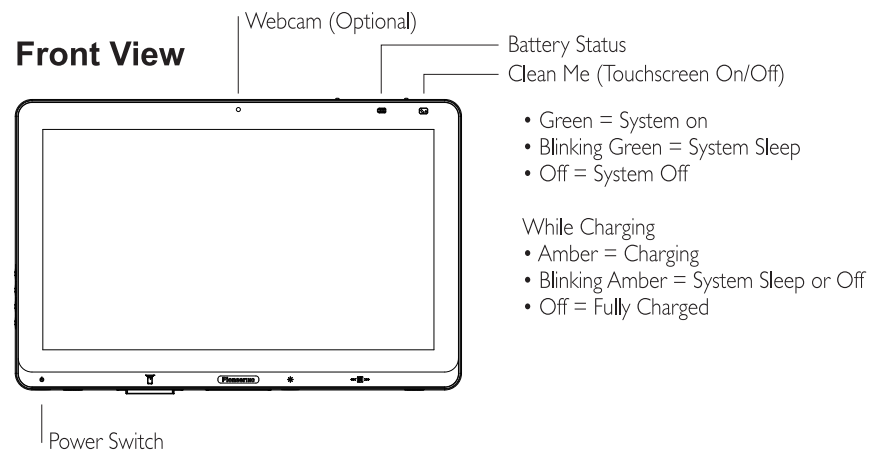


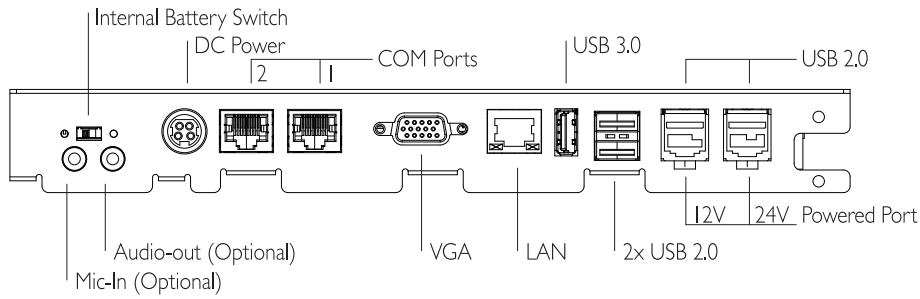
CarisTouch CT18M/CT22M Quick Start Guide



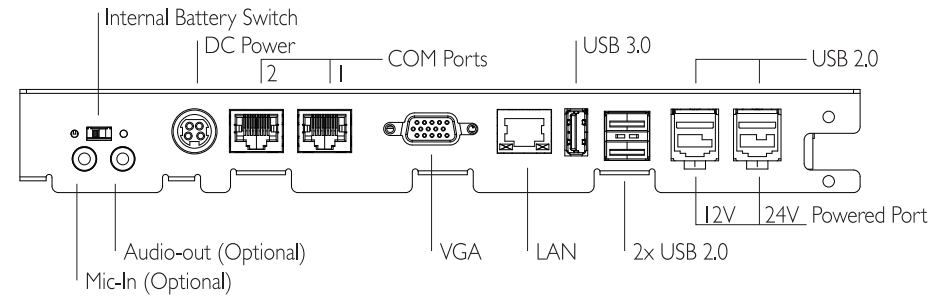
CarisTouch CT18M/CT22M Quick Start Guide



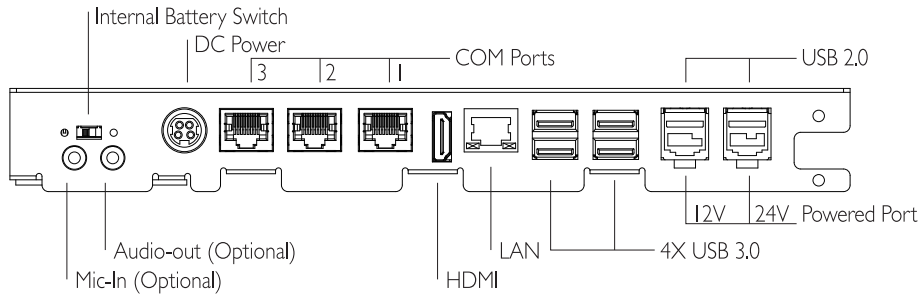
I/O info Part Number: QXX-MXXXXX-XX



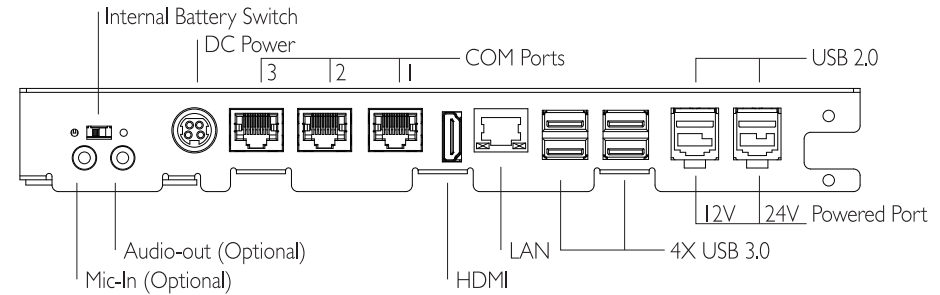
I/O info Part Number: QXX-MXXXXX-XX



I/O info Part Number: QXX-YXXXXX-XX



I/O info Part Number: QXX-YXXXXX-XX



Setup Information:

AC-powered Model:

1. Connect the power adapter (included) to a wall outlet.
2. Plug the DC connector end from adapter to DC power port on the CT18M/CT22M.
3. Power up terminal by pressing the power switch.

Battery-powered Model:

1. Switch on the internal battery switch.
2. Charge CT18M/CT22M terminal via power adapter for 8-hours.
3. Insert a fully-charged battery into the battery slot on CT18M/CT22M.
4. Power up terminal by pressing the power switch.

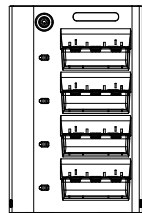
IMPORTANT!!

- Make sure the external battery (sold separately) is fully charged before use.
- Batteries can be charged on a CT18M/CT22M connected to a DC power source or via the mBAY charging station.
- CT18M/CT22M terminal will beep continuously when no external battery is detected/DC power is not connected.

Optional Accessories

4HB-CBA02:
mBAY 4 battery charging station, black

4HW-CBA02:
mBAY 4 battery charging station, white



4HG-BAT03:
External Battery Pack



Setup Information:

AC-powered Model:

1. Connect the power adapter (included) to a wall outlet.
2. Plug the DC connector end from adapter to DC power port on the CT18M/CT22M.
3. Power up terminal by pressing the power switch.

Battery-powered Model:

1. Switch on the internal battery switch.
2. Charge CT18M/CT22M terminal via power adapter for 8-hours.
3. Insert a fully-charged battery into the battery slot on CT18M/CT22M.
4. Power up terminal by pressing the power switch.

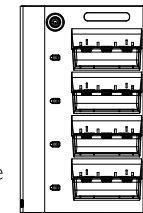
IMPORTANT!!

- Make sure the external battery (sold separately) is fully charged before use.
- Batteries can be charged on a CT18M/CT22M connected to a DC power source or via the mBAY charging station.
- CT18M/CT22M terminal will beep continuously when no external battery is detected/DC power is not connected.

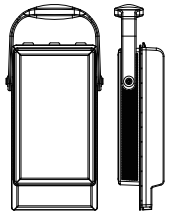
Optional Accessories

4HB-CBA02:
mBAY 4 battery charging station, black

4HW-CBA02:
mBAY 4 battery charging station, white



4HG-BAT03:
External Battery Pack



Please visit us at www.pioneersolution.com

For product support:
US & Canada: support@pioneersolution.com,
or call 909-468-9757, option 2
Others: support@evensystems.com



Please visit us at www.pioneersolution.com

For product support:
US & Canada: support@pioneersolution.com,
or call 909-468-9757, option 2
Others: support@evensystems.com